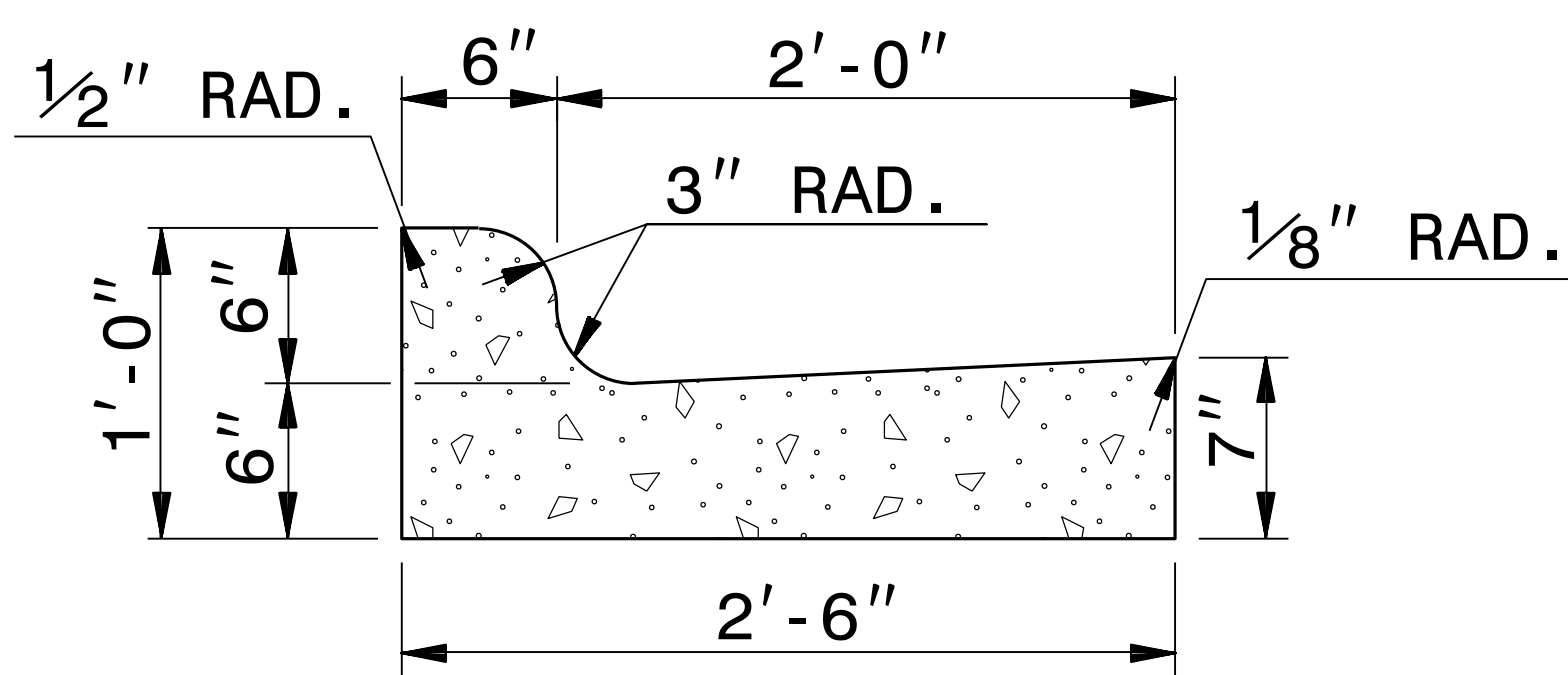
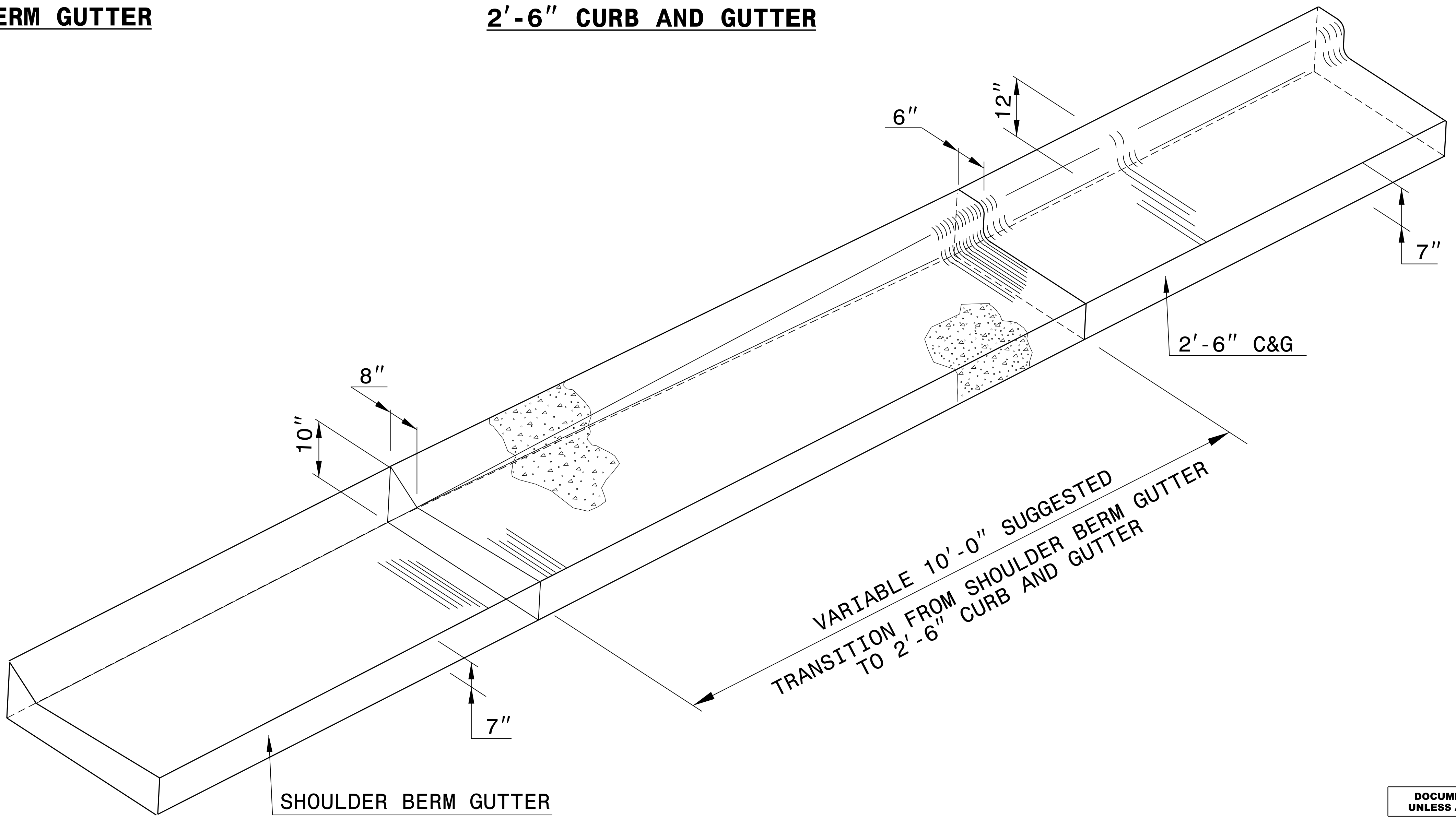


SHOULDER BERM GUTTER

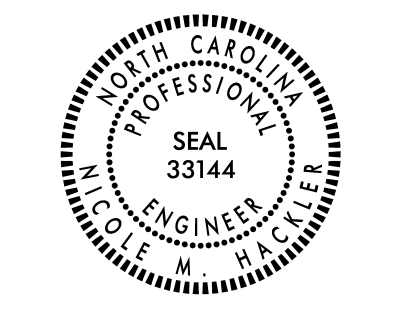


2'-6" CURB AND GUTTER

*NOTE: SEE STD. DWG. 846.01 FOR GENERAL NOTES



ISOMETRIC VIEW OF TRANSITION



DOCUMENT NOT CONSIDERED FINAL
UNLESS ALL SIGNATURES COMPLETED

**CONTRACT STANDARDS
AND DEVELOPMENT UNIT**
Office 919-707-6950 FAX 919-250-4119

**DETAIL OF SHOULDER BERM GUTTER
TO 2'-6" CURB & GUTTER
TRANSITION SECTION**

ORIGINAL BY: E.E. WARD DATE: 5-29-02
 MODIFIED BY: DATE:
 CHECKED BY: DATE:
 FILE SPEC.: /usr/details/stand/cgtransit.dgn